

The Pulsafeeder ECA is the simplest and most economical stroke controller. It is a robust signal follower with high accuracy that allows for multiple types and variable range of analog signals. This allows for system and communication compatibility and versatility. The ECA offers independent isolation of the input and output signals; effectively eliminating drift and noise problems. The ECA gives you simple 1-button calibration. Merely supply a signal level to the unit, press a button, supply the high signal, press a button and the calibration is easy.

Key Features

- Standard signal loss protection
- By setting a jumper, it will either freeze at the current position or drive back to zero
- Fully programmable 0-25mA output or 0 to 4.095 VDC
- Nema 4 or NEMA 7 enclosure for hazardous or explosive environments (without adjustment knob)
- Measures variations in input signal as small as 0.02mA
- Operates within +/- 0.1% stroke adjustment steps
- Optical encoder digitally resolves stroke position for optimal accuracy
- For Pulsar, Pulsar Hypo2pump, Shadow, and Shadow Hypo2pump Pumps
- UL and ULC certified, IP66, CE, CENELEC

Operating Benefits

- Can measure variations in the input signal as small as 0.02mA, and translate that into 0.1% stroke adjustment accuracy.
- Simple one button calibration. Making it simple and easy to setup.
- Robust, provides long service life
- Independent isolation of both the input and output signal channels help to prevent signal drift problems



Aftermarket & Accessory Offerings

- KOPkit[®]
- Cal Columns
- Strainer
- Pressure Relief Valves
- Back Pressure Valves
- Pulsation Dampeners
- Gauges



PULSAR[®] **ECA**
Electronic Stroke Length Actuator

PULSAR[®] ECA

Specifications and Model Selection

Engineering Data

Power Input Options: Single Phase, 115 or 220VAC
(50 or 60 Hz)

Stroke Length Control: 0-100% control range

Stroke Adjustment

Response: 0% per second

Analog Input: 0 to 25.5 mA (4-20 mA factory default)

160 ohms Input Impedance

2mA or 0.4 VDC Minimum span

500V isolation from all other inputs,
outputs and ground

Non-powered solid-state contacts

-user configurable

Analog Output: 0 to 25.5mA (4-20mA factory default)

700 ohms maximum load

2mA or 0.4VDC minimum span

500V isolation from all out inputs,
outputs and ground, optically isolated.

Status Input:

Motor is on/off. Optically isolated dry contact input. Open contact indicates motor is off. Controller will then suspend all stroke control action. Motor starter should provide a contact for connection here.

Rated Ambient

Temperature: -20°C-40°C (-4°F-104°F)

Rated Ambient Storage

Temperature: -25°C-60°C (-13°F-140°F)

Enclosures: NEMA4X, NEMA7, IP66

Approvals: UL/ULC NEMA 7

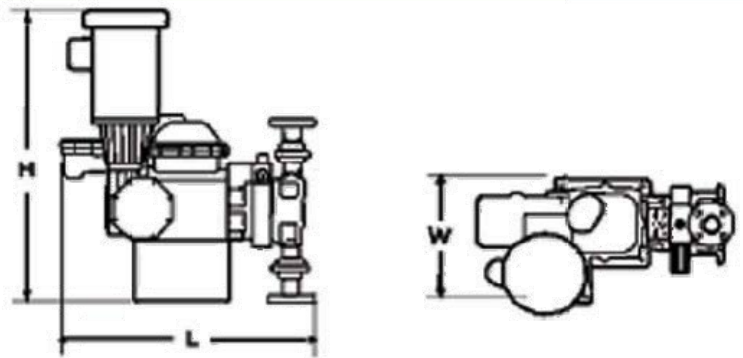
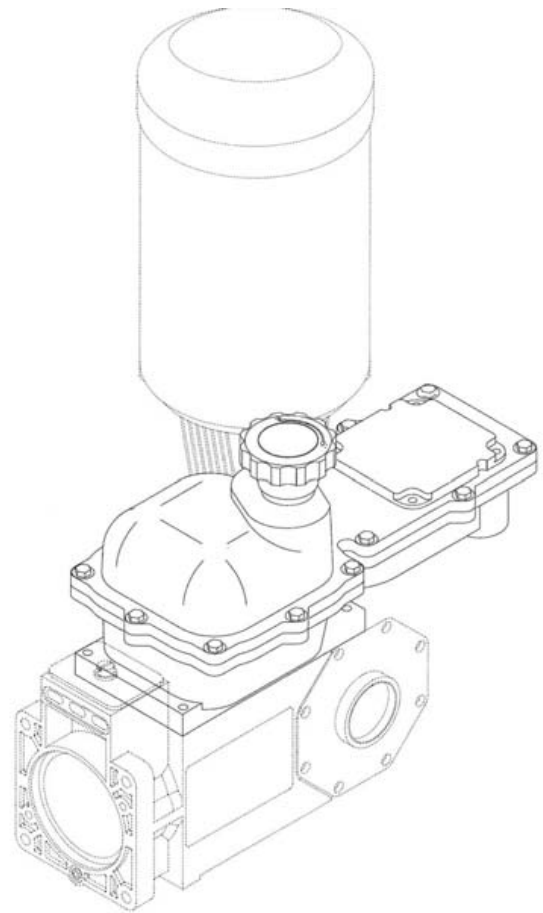
UL 1203: Class I, Div I, Groups C&D

CENELEC IP66

CENELEC: XP Class I, Zone I, Groups IIB

(Eex d IIB T6) DEMKO

CE – LVD, EMC



Dimensions

PULSAR ECA	L	W	H	Approx. Shipping Weight
Inches	22.75	10.6	32.1	80-100 lbs
Millimeters	574.8	269.5	816.2	36.3-45.4 kg

pulsafeeder.com



2883 Brighton Henrietta TL Rd
Rochester, NY 14623

Phone: ++1(585) 292-8000

Fax: ++1 (585) 424-5619

An ISO 9001 and ISO 14001 Certified Company



ECA002 – E11