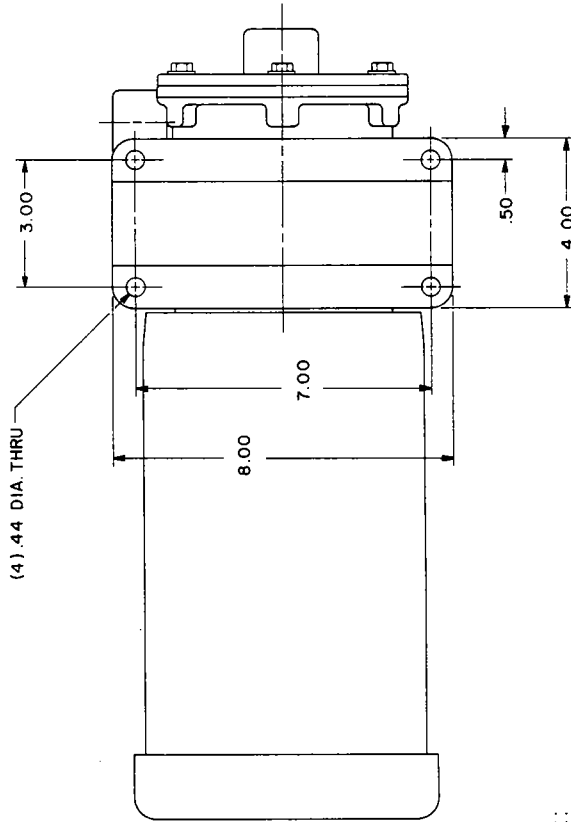
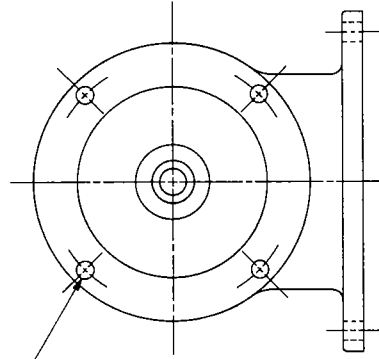
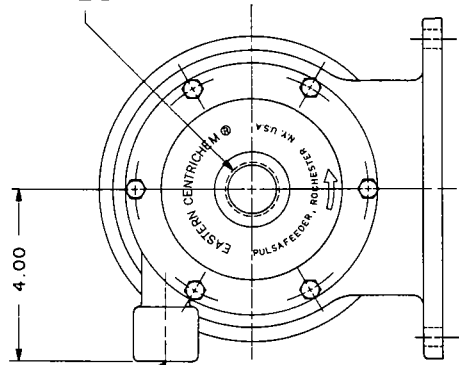


(4) .41 DIA HOLES
ON A 5.88 DIA. B.C.
EQUALLY SPACED
SEE NOTE 2



- NOTE:
1. MOTOR DIMENSIONS VARY BY MANUFACTURER - CONSULT MANUFACTURERS DRAWING FOR SPECIFICS.
 2. CONFORMS TO NEMA 56C FACE MOTOR MOUNTING.



END VIEW LESS MOTOR

ALL DIMENSIONS ARE IN INCHES	
EASTERN	Pulsafeeder ROCHESTER, NEW YORK 14623
CENTRICHEM® - C SERIES	
SINGLE SEAL	
DIMENSIONAL DRAWING	
DWN BY: MEH	Y1003
DATE: 4-9-86	

SECTION / PAGE	MODEL C / C300
EFFECTIVE	10/15/86
SUPERSEDES	NEW