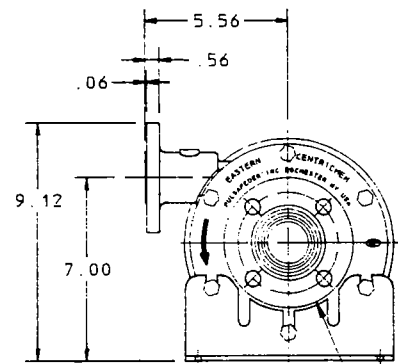
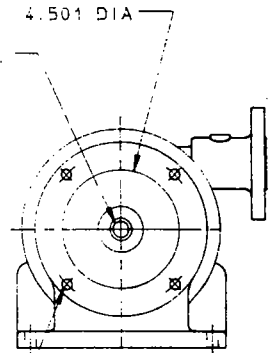
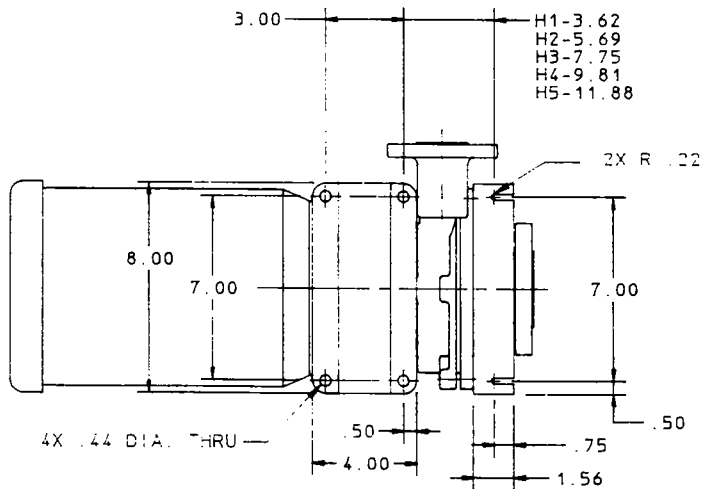


OUTLET PORT 1.00" - 150 LB. RF
FLANGE W/ (4) .62 DIA HOLES
ON A 3.12 DIA B.C.



INLET PORT 1.50" - 150 LB. RF
FLANGE W/ (4) .62 DIA HOLES
ON A 3.88 DIA B.C.

H1-.625 DIA.
X 1.75 DEEP.
H2, H3, H4 & H5
.875 DIA X 1.75 DEEP.



END VIEW LESS MOTOR

NOTE:
1. MOTOR DIMENSIONS VARY BY MANUFACTURER. CONSULT
MANUFACTURERS DRAWING FOR SPECIFICS.

ALL DIMENSIONS ARE IN INCHES
EASTERN Pulsafeeder, Inc.
ROCHESTER, NY USA

DIMENSIONAL DRAWING
CENTRICHEM - H SERIES
SINGLE SEAL WITH MOTOR
AND FLANGED PORTS

SECTION/PAGE	MODEL H1 H304	DWN BY: PFM	Y1043
EFFECTIVE	01/11/91	DATE: 01/19/90	
REF	REVISION UPDATE	DATE	
	SUPERSEDES	NEW	