


REF	ADDED OPTIONAL FLANGE
REVISION	UPDATE
DATE	03/27/01

SECTION/PAGE	EFFECTIVE
03/27/01	C/GA2/GC2/2224
SUPERSEDES	12/01/97

ALL DIMENSIONS ARE IN INCHES

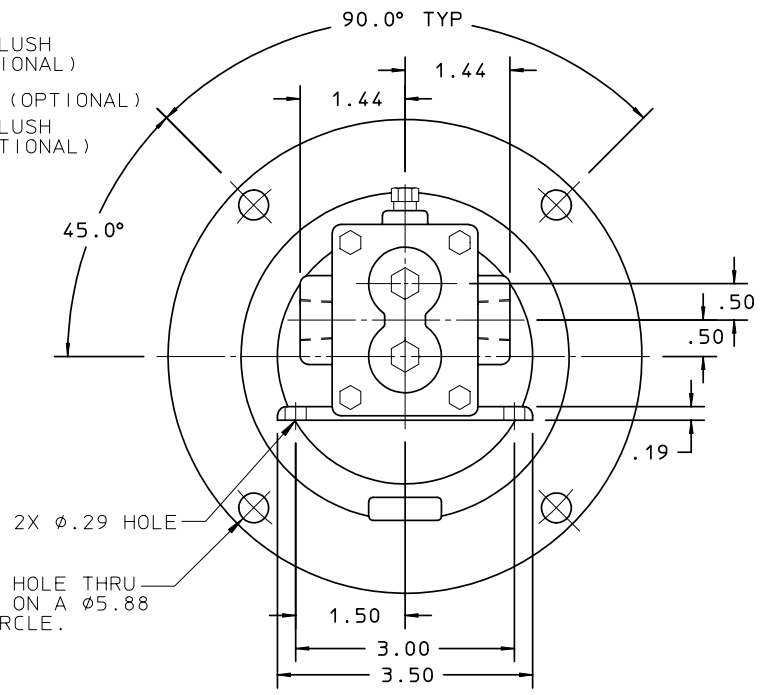
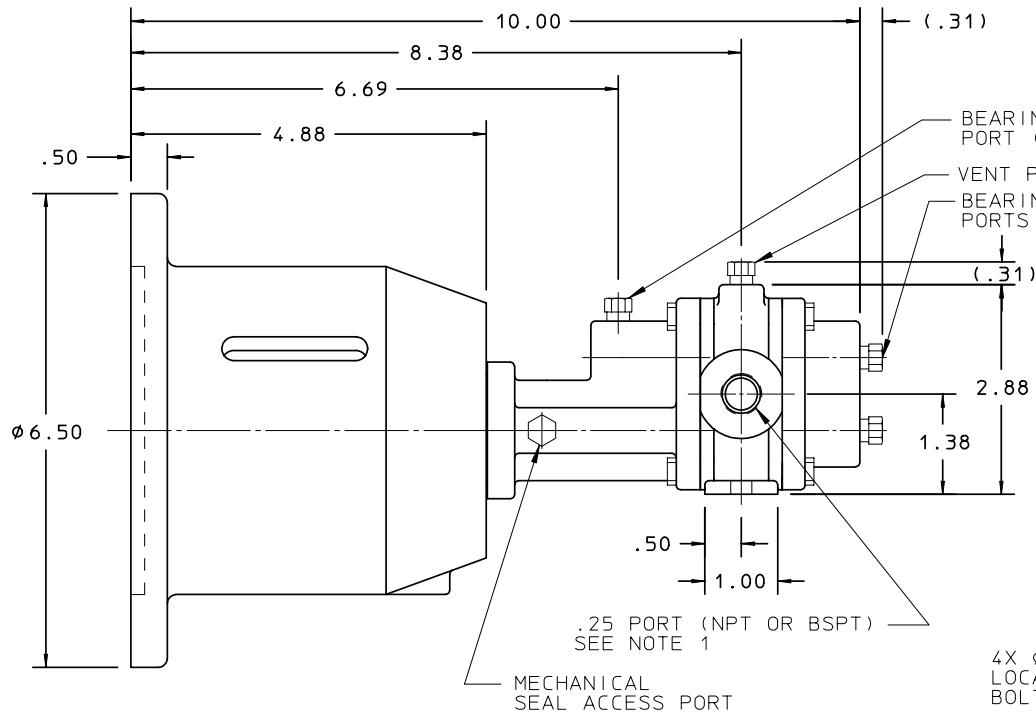


PULSAFEEDER
A Unit of IDEX Corporation

DIMENSIONAL DRAWING
GA2/GC2 PUMP UNMOUNTED

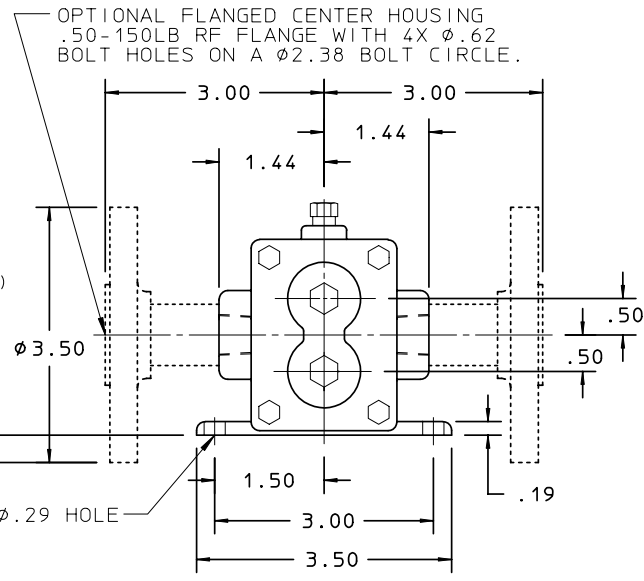
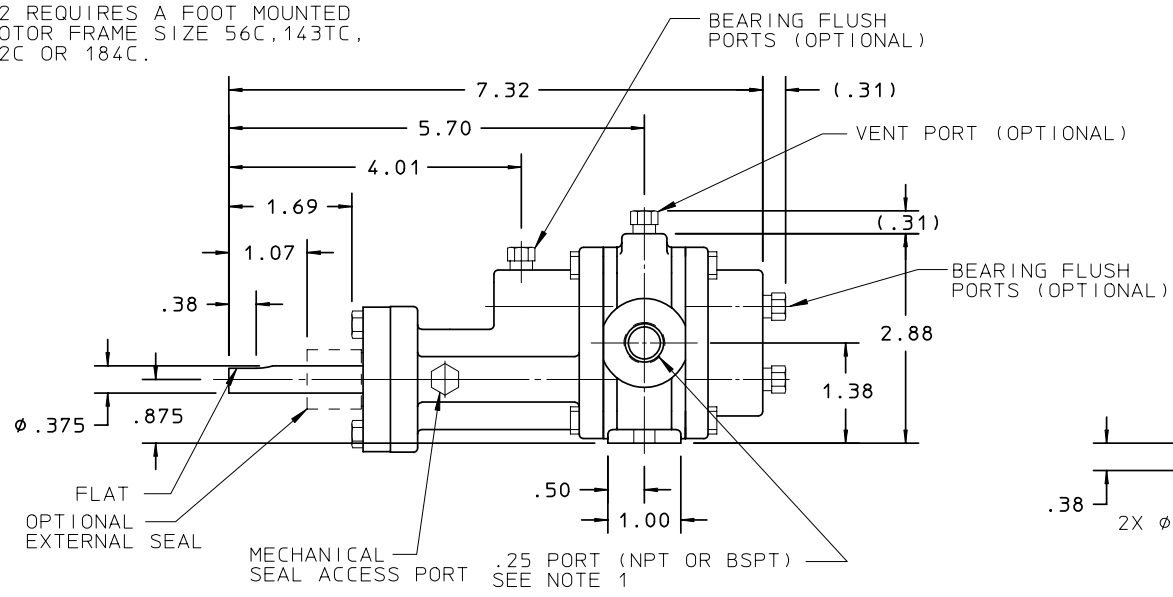
DWN BY: PFM
DATE: 04/14/97

SD-2850



- NOTES:
- 1) SUCTION AND DISCHARGE PORTS ARE DEPENDENT UPON ROTATION.
 - 2) ALL STANDARD AND OPTIONAL PIPE PLUGS ARE .125 NPT.
 - 3) MODEL GC2 REQUIRES A FOOT MOUNTED C-FACE MOTOR FRAME SIZE 56C, 143TC, 145TC, 182C OR 184C.

GC2 SINGLE / DOUBLE MECHANICAL SEAL



GA2 SINGLE / DOUBLE MECHANICAL SEAL