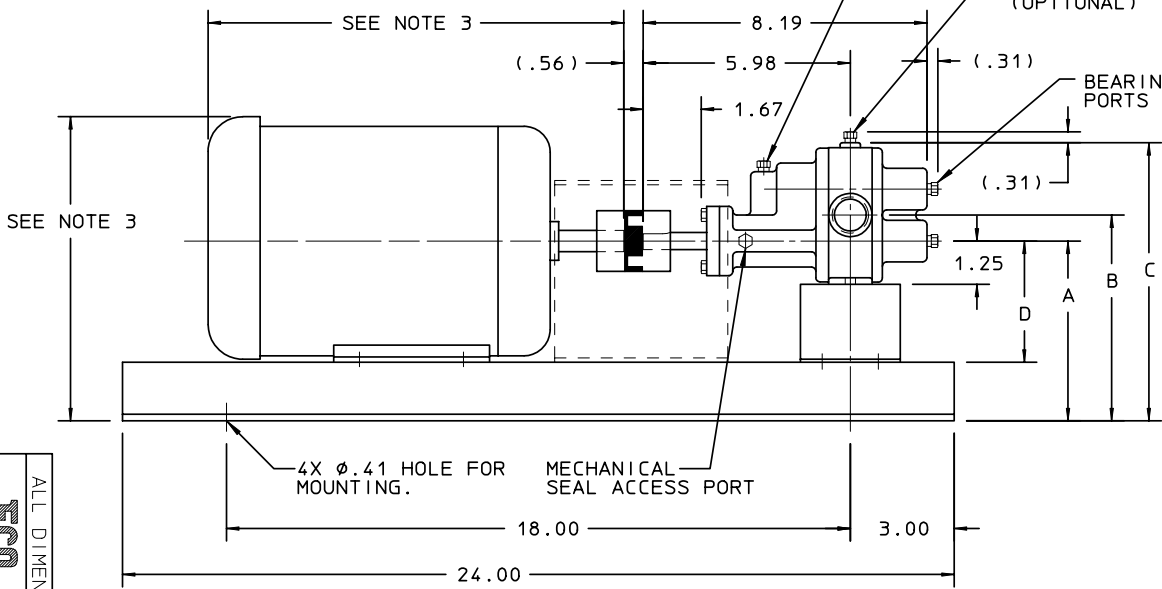


REF: ADD FLANGED VIEW REVISION UPDATE DATE: 03/27/01 EFFECTIVE DATE: 03/27/01 SUPERSEDES: 12/01/97 DWN BY: PEM DATE: 11/03/97 SD-2878

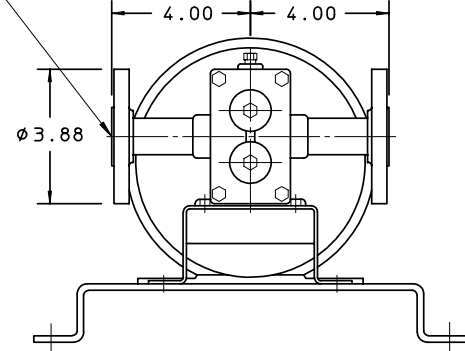
SECTION/PAGE: C/GA6/6226 GA6 SERIES MOUNTED ON BASE PLATE

ECO
PULSAFEEDER
A Unit of IDEX Corporation

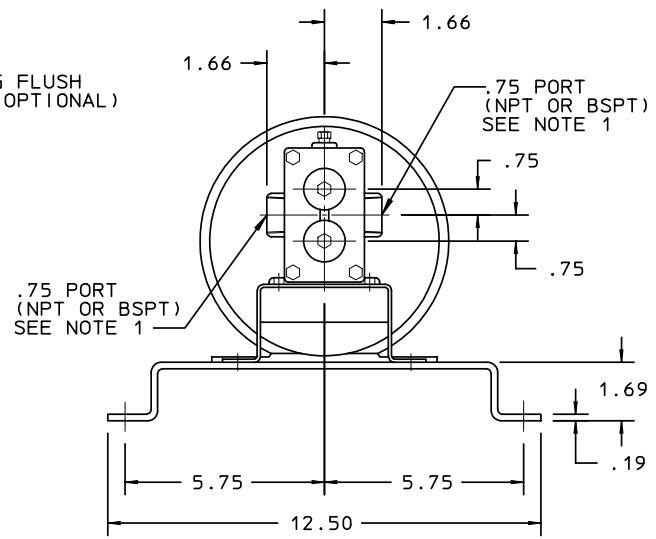
ALL DIMENSIONS ARE IN INCHES



PORT CONNECTIONS
.75-150LB RF FLANGE
WITH 4X Ø.62 BOLT HOLES
LOCATED ON A Ø2.75 BOLT
CIRCLE.



VIEW WITH FLANGED CENTER HOUSING



PUMP SERIES	DIMENSIONS			MOTOR INFO.	
	A	B	C	FRAME	D
GA6	5.19	5.94	8.03	56	3.50
	5.19	5.94	8.03	143/5T	3.50
	6.19	6.94	9.03	182/4T	4.50

NOTES:

- SUCTION AND DISCHARGE PORTS DEPENDENT ON DIRECTION OF ROTATION.
- ALL STANDARD AND OPTIONAL PIPE PLUGS ARE (1/8" N.P.T.).
- MOTOR DIMENSIONS VARY BY MANUFACTURER. CONSULT MANUFACTURERS DRAWING FOR SPECIFICS. BASE WILL ACCOMMODATE MOTOR FRAME SIZES, 56, 143/5T, AND 182/4T.