

REF	ADD OPTIONAL FLANGE
	REVISION UPDATE
DATE	03/27/01

SECTION/PAGE	C/GA8/GC8/8224
EFFECTIVE	03/27/01
SUPERSEDES	12/01/97

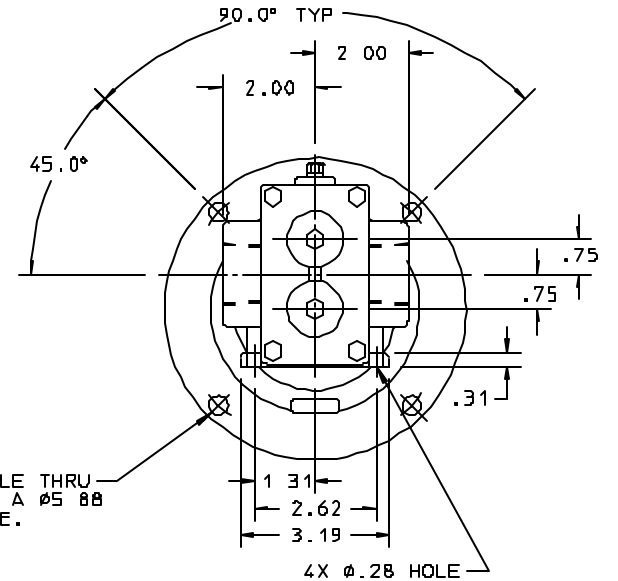
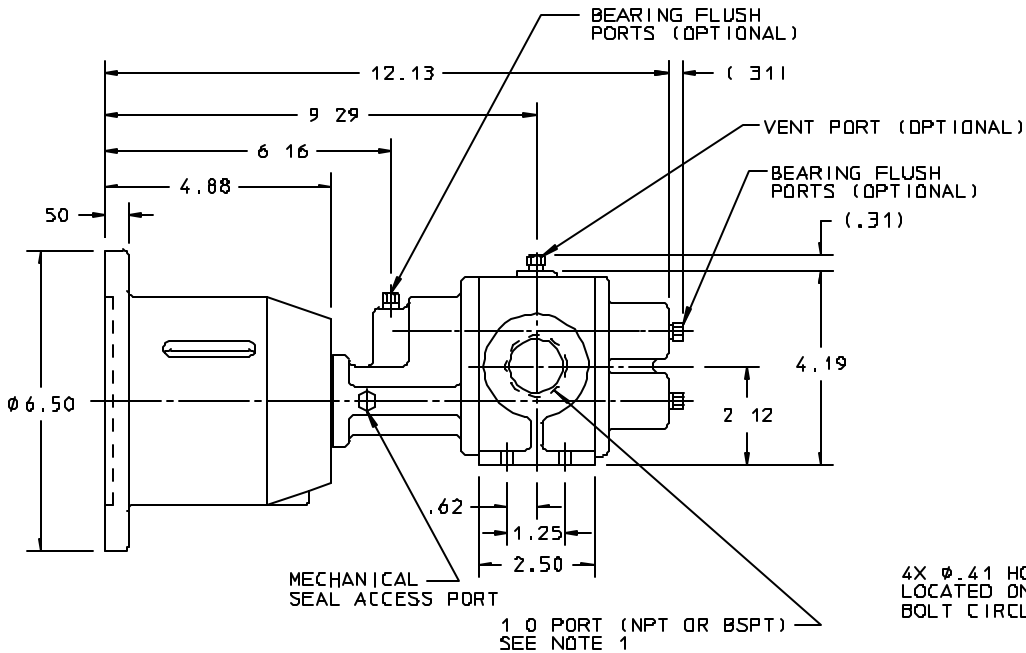
DWN BY	PEM
DATE	04/28/97
	SD-2853

DIMENSIONAL DRAWING
GA8/GC8 PUMP UNMOUNTED

ECD

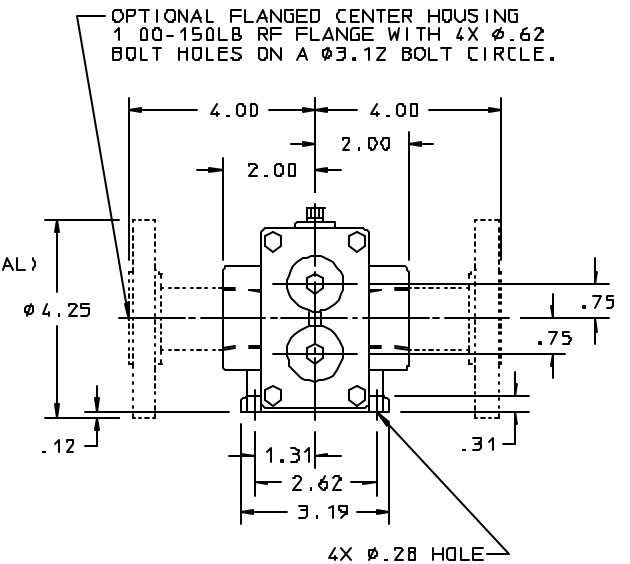
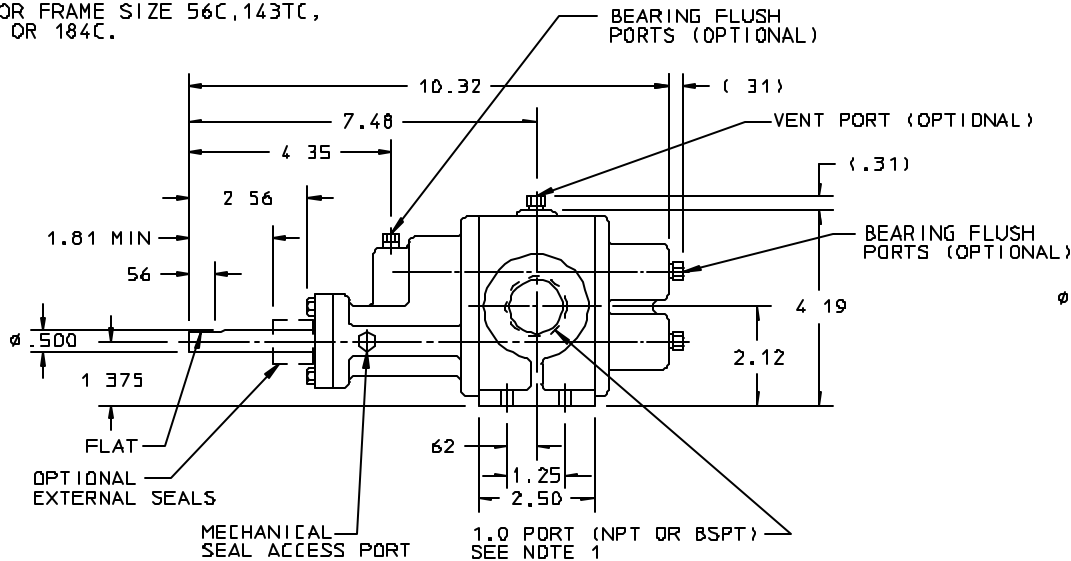
SPRINGER
A Unit of DEX Corporation

ALL DIMENSIONS ARE IN INCHES



- NOTES:
- 1) SUCTION AND DISCHARGE PORTS ARE DEPENDENT UPON ROTATION.
 - 2) ALL STANDARD AND OPTIONAL PIPE PLUGS ARE .125 NPT.
 - 3) MODEL GC8 REQUIRES A FOOT MOUNTED C-FACE MOTOR FRAME SIZE 56C, 143TC, 145TC, 182C OR 184C.

GC8 SINGLE / DOUBLE MECHANICAL SEAL



GA8 SINGLE / DOUBLE MECHANICAL SEAL