

REF
 Δ ADDED FLANGE VIEW
 REVISION UPDATE

03/27/01
 DATE

SECTION/PAGE
 EFFECTIVE
 SUPERSEDES

C/GC4/4225
 03/27/01
 12/01/97

DWN BY: PEM
 DATE: 11/13/97

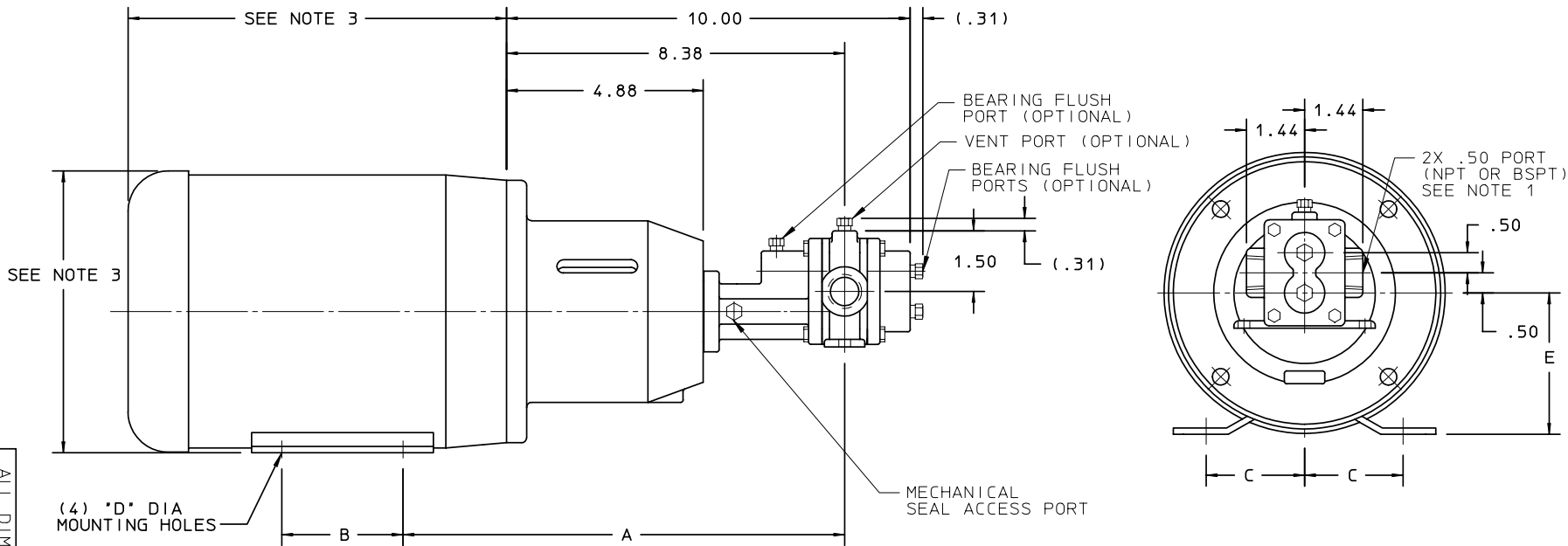
SD-2881

DIMENSIONAL DRAWING
 GC4 MOTOR MOUNTED

ECO

PULSAFEENR
 A Unit of IDEX Corporation

ALL DIMENSIONS ARE IN INCHES



PORT CONNECTIONS
 .50-150LB RF FLANGE
 WITH 4X ϕ .62 BOLT HOLES
 LOCATED ON A ϕ 2.38 BOLT
 CIRCLE.

VIEW WITH FLANGED
 CENTER HOUSING

- NOTES:
 1) SUCTION AND DISCHARGE PORTS ARE DEPENDENT UPON ROTATION.
 2) ALL STANDARD AND OPTIONAL PIPE PLUGS ARE .125 NPT.
 3) MOTOR DIMENSIONS VARY BY MANUFACTURER. CONSULT MANUFACTURER'S DRAWING FOR SPECIFICS.

MOTOR FRAME	A	B	C	D	E
56C	10.94	3.00	2.44	.34	3.50
143TC	11.25	4.00	2.75	.34	3.50
145TC	11.25	5.00	2.75	.34	3.50
182C	11.25	4.50	3.75	.41	4.50
184C	11.25	5.50	3.75	.41	4.50