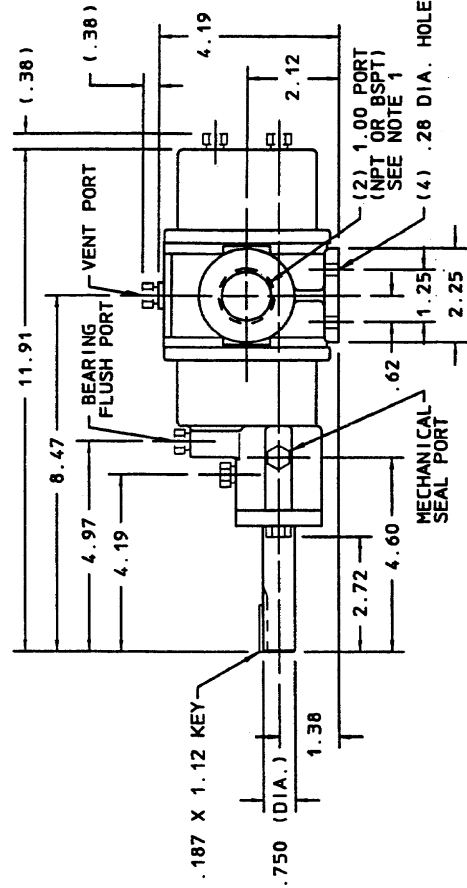


### GH8 LANTERN RING STUFFING BOX

- NOTE:
- 1.) SUCTION AND DISCHARGE PORTS DEPENDENT ON DIRECTION OF ROTATION.
  - 2.) ALL STANDARD AND OPTIONAL PIPE PLUGS ARE (1/8" N.P.T.).



### GH8 SINGLE / DOUBLE MECHANICAL SEAL

ADD OPTIONAL FLANGE	03/27/01
REVISION UPDATE	DATE

SECTION/PAGE	C/GH8-8310
EFFECTIVE	03/27/01
SUPERSEDES	12/02/94

ALL DIMENSIONS ARE IN INCHES	
<b>ECO</b>	<b>PULSAFEEDER</b> A Unit of IDEX Corporation
DIMENSIONAL DRAWING GH8 PUMP UNMOUNTED	
DWN BY: CLA	SD-2767
DATE: 04/04/94	