

REF	ADDED FLANGED VIEW
	REVISION UPDATE
	03/27/01
	DATE

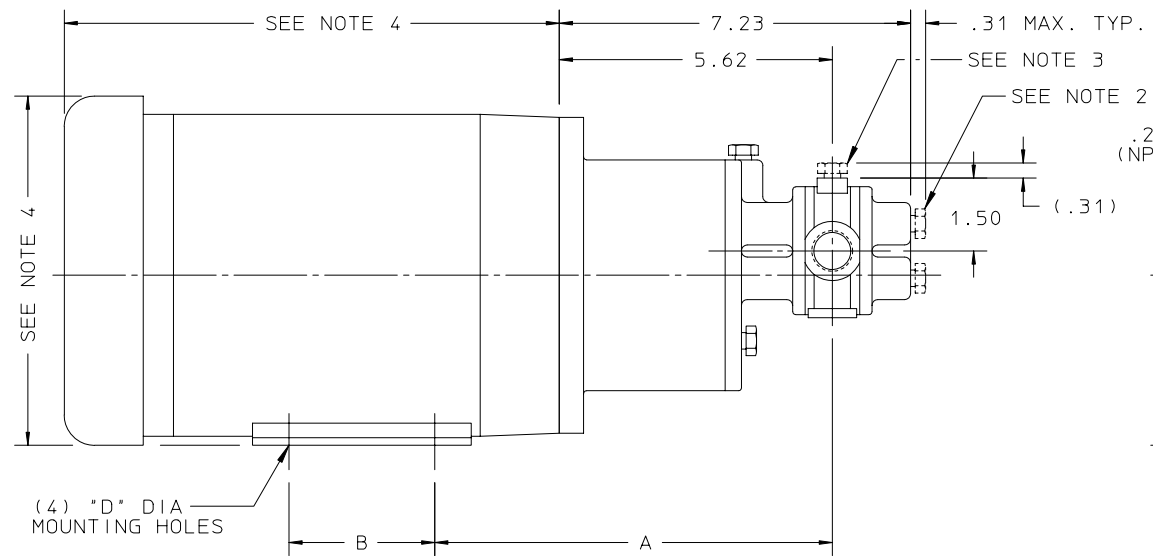
SUPERSEDES	SECTION/PAGE
	EFFECTIVE
	03/27/01
	DATE

DATE: 11/09/94	DWN BY: PFW
SD2669	

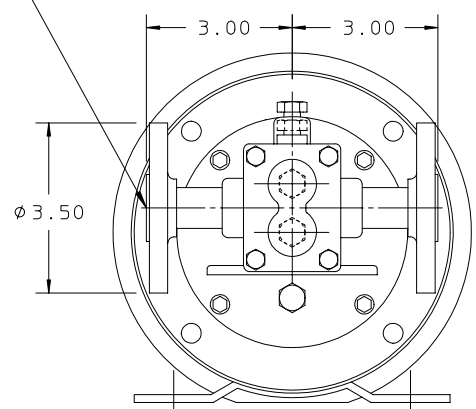
MODEL GM2 / 303	MODEL GM2/GMC2
04/01/98	PUMP MTD FOR 56C
	143TC - 184C FR MOTORS

**Iscochem**  
A Unit of IDEX Corporation  
**Pulsafeeder**

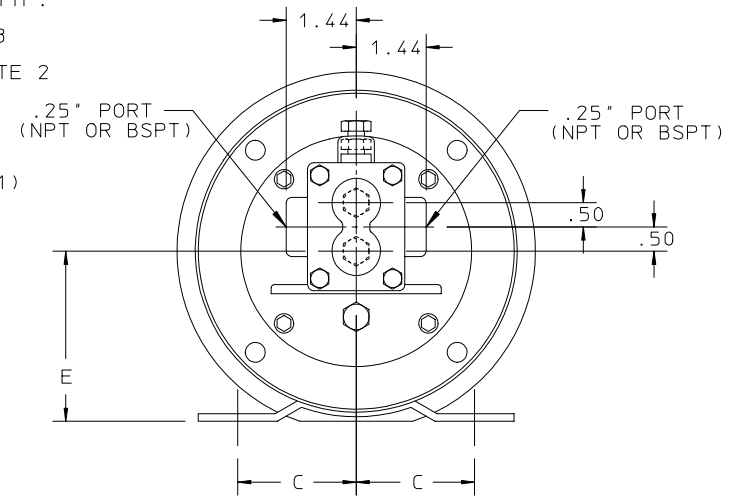
ALL DIMENSIONS ARE IN INCHES



PORT CONNECTIONS  
.50-150LB RF FLANGE WITH 4X  $\phi$ .62  
BOLT HOLES ON A  $\phi$ 2.38 BOLT CIRCLE.



VIEW WITH FLANGED  
CENTER HOUSING



NOTES:

- SUCTION AND DISCHARGE PORTS DEPENDENT UPON PUMP SHAFT ROTATION.
- BEARING FLUSH AND DRAIN PLUGS (.12 NPTF) ARE OPTIONAL.
- VENT PLUG (.12 NPTF) OPTIONAL.
- MOTOR DIMENSIONS VARY BY MANUFACTURER. CONSULT MANUFACTURES DRAWING FOR SPECIFICS.

MOTOR FRAME	A	B	C	D	E
56C	8.25	3.00	2.44	.34	3.50
143TC	8.25	4.00	2.75	.34	3.50
145TC	8.25	5.00	2.75	.34	3.50
182C	8.25	4.50	3.75	.41	4.50
184C	8.25	5.50	3.75	.41	4.50