

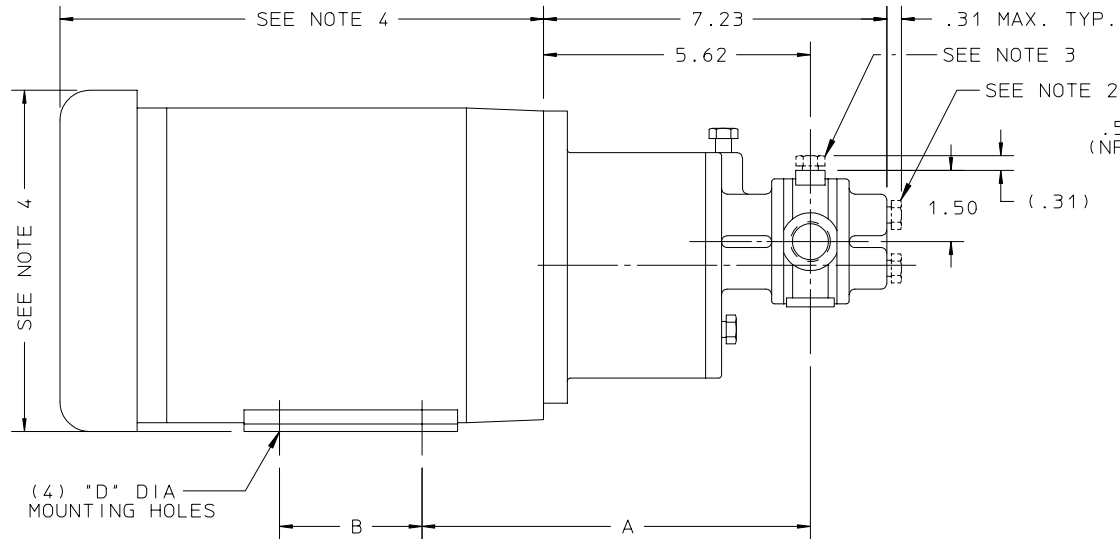
REF: ADDED FLANGED VIEW
 REVISION UPDATE
 03/27/01
 DATE
 SECTION/PAGE
 MODEL GM4 / 303
 EFFECTIVE
 03/27/01
 SUPersedes
 04/01/98
 DWN BY: PFW
 DATE: 11/09/94
 SD2570

ALL DIMENSIONS ARE IN INCHES

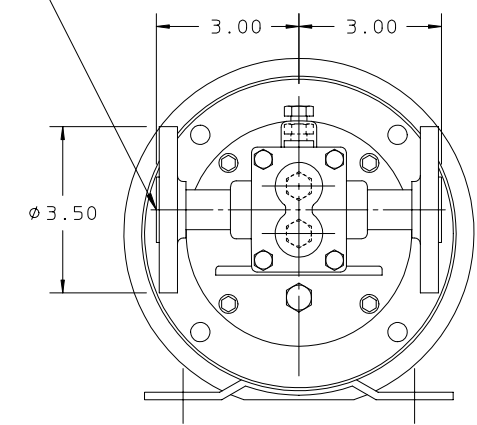
Ischem
 A Unit of IDEX Corporation

Pulsafeeder

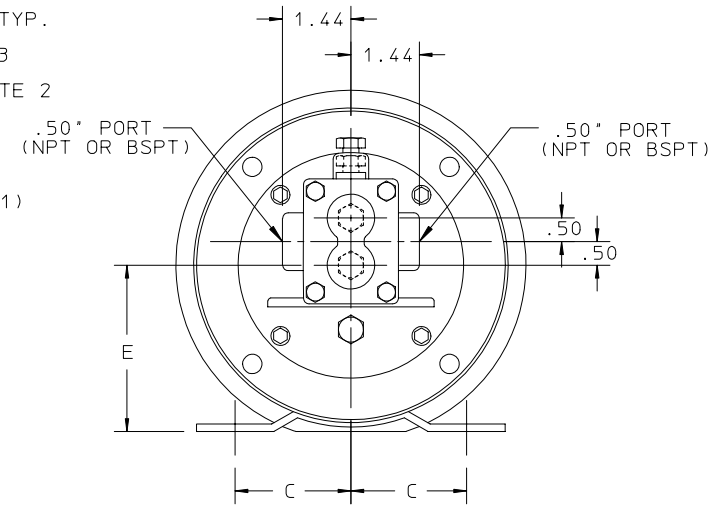
MODEL GM4/GM4
 PUMP MTD FOR 56C,
 143TC - 184C FR MOTORS



PORT CONNECTIONS
 .50-150LB RF FLANGE WITH 4X ϕ .62
 BOLT HOLES ON A ϕ 2.38 BOLT CIRCLE.



VIEW WITH FLANGED
 CENTER HOUSING



NOTES:

- SUCTION AND DISCHARGE PORTS DEPENDENT UPON PUMP SHAFT ROTATION.
- BEARING FLUSH AND DRAIN PLUGS (.12 NPTF) ARE OPTIONAL.
- VENT PLUG (.12 NPTF) OPTIONAL.
- MOTOR DIMENSIONS VARY BY MANUFACTURER. CONSULT MANUFACTURES DRAWING FOR SPECIFICS.

MOTOR FRAME	A	B	C	D	E
56C	8.25	3.00	2.44	.34	3.50
143TC	8.25	4.00	2.75	.34	3.50
145TC	8.25	5.00	2.75	.34	3.50
182C	8.25	4.50	3.75	.41	4.50
184C	8.25	5.50	3.75	.41	4.50