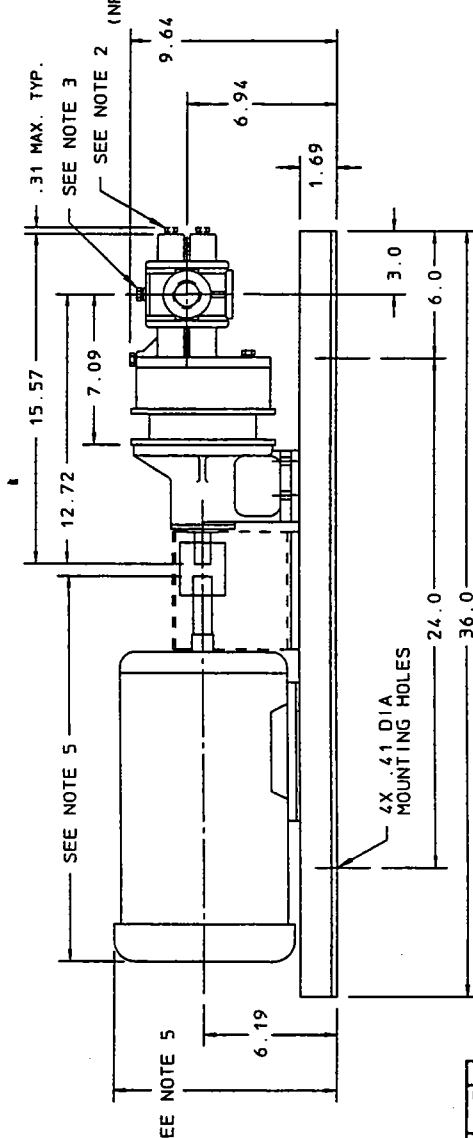
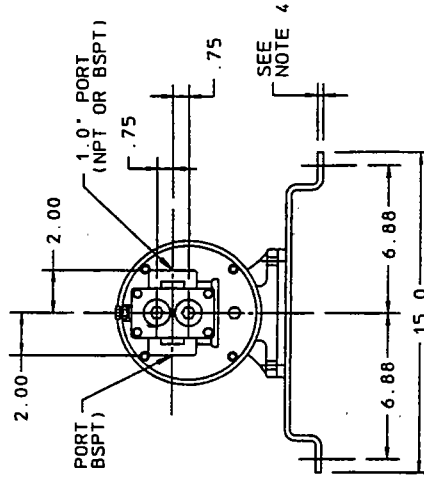
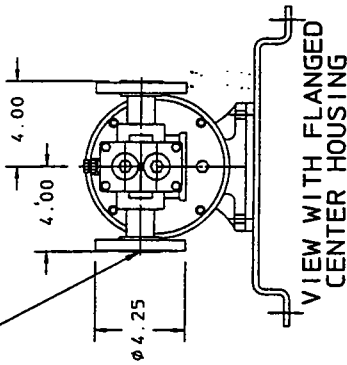


PORT CONNECTIONS  
1.00-150LB RF FLANGE WITH 4X Ø .62  
BOLT HOLES ON A Ø3.12 BOLT CIRCLE.



NOTES:

1. SUCTION AND DISCHARGE PORTS ARE DEPENDENT UPON PUMP SHAFT ROTATION.
2. BEARING FLUSH AND DRAIN PLUGS (.12 NPT) ARE OPTIONAL.
3. VENT PLUG (.12 NPT) OPTIONAL.
4. MATERIAL THICKNESS: STEEL .25 THK. STAINLESS STEEL .19 THK.
5. MOTOR DIMENSIONS VARY BY MANUFACTURER. CONSULT MANUFACTURER'S DRAWING FOR SPECIFICS.

REF	ADDED FLANGED VIEW	03/27/01
	REVISION UPDATE	DATE

SECTION/PAGE	MODEL GMB / 305
EFFECTIVE	03/27/01
SUPERSEDES	04/01/98

ALL DIMENSIONS ARE IN INCHES

**Isochem** **PULSAFEEDER**  
A Unit of DEX Corporation

MODEL GM8/GMC8  
MTD BASE AND PEDESTAL  
182-184T FRAME MOTORS

DWN BY: JEM JR  
DATE: 10/27/89

SD2682