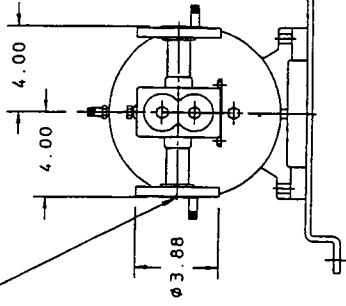
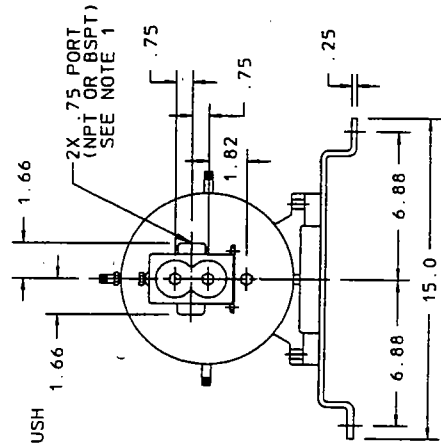


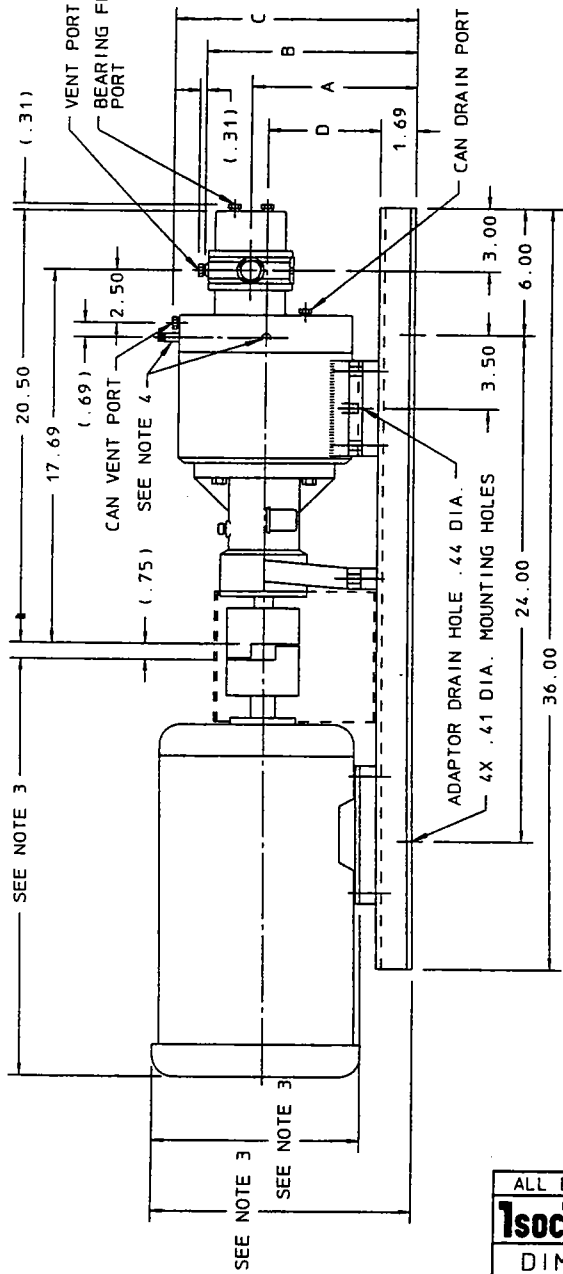
PORT CONNECTIONS  
75-150L B RE FLANGE WITH 4X Ø .62  
BOLT HOLES ON A Ø2.75 BOLT CIRCLE.



VIEW WITH FLANGED  
CENTER HOUSING



PUMP END VIEW



NOTES:

- 1.) SUCTION AND DISCHARGE PORTS DEPENDENT ON DIRECTION OF ROTATION.
- 2.) ALL STANDARD AND OPTIONAL PIPE PLUGS ARE (1/8" N.P.T.).
- 3.) MOTOR DIMENSIONS VARY BY MANUFACTURER. CONSULT MANUFACTURERS DRAWING FOR SPECIFICS. BASE WILL ACCOMMODATE MOTOR FRAME SIZES, 143T, 145T, 182T, 184T, 213T AND 215T.
- 4.) (2) 1/8" NPT PIPE CONNECTION PORTS ARE STANDARD WITH DOUBLE CAN OPTION. STANDARD ASSEMBLY IS LEFT/TOP CONNECTION PORT ORIENTATION WHEN VIEWED FROM PUMP END. CUSTOMER TO SPECIFY WHEN RIGHT/TOP CONNECTION PORT ORIENTATION IS REQUIRED.

PUMP SERIES	DIMENSIONS			MOTOR FRAME	MOTOR INFO. D
	A	B	C		
GMH6	6.94	9.03	10.50	143/5T	4.50
	6.94	9.03	10.50	182/4T	4.50
	7.69	9.78	11.25	213/5T	5.25

ALL DIMENSIONS ARE IN INCHES  
**Isochem** **PULSAFEEDER**  
A Unit of IDEX Corporation

DIMENSIONAL DRAWING  
GMH6 PUMP MOUNTED  
WITH PEDESTAL ASSY

△	ADDED FLANGED VIEW	03/27/01
REF	REVISION UPDATE	DATE

SECTION/PAGE	MODEL GMH6 / 304
EFFECTIVE	03/27/01
SUPSEDES	04/01/98

DWN BY: CLA	SD-2874
DATE: 10/09/97	