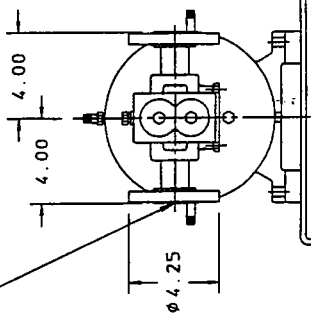
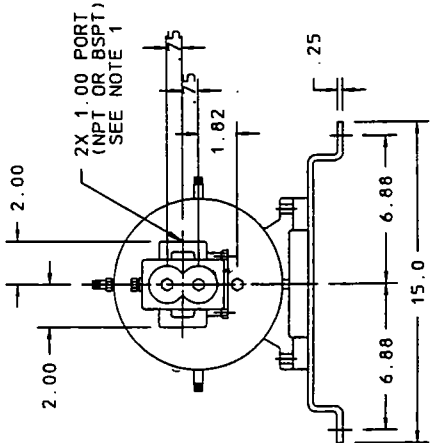


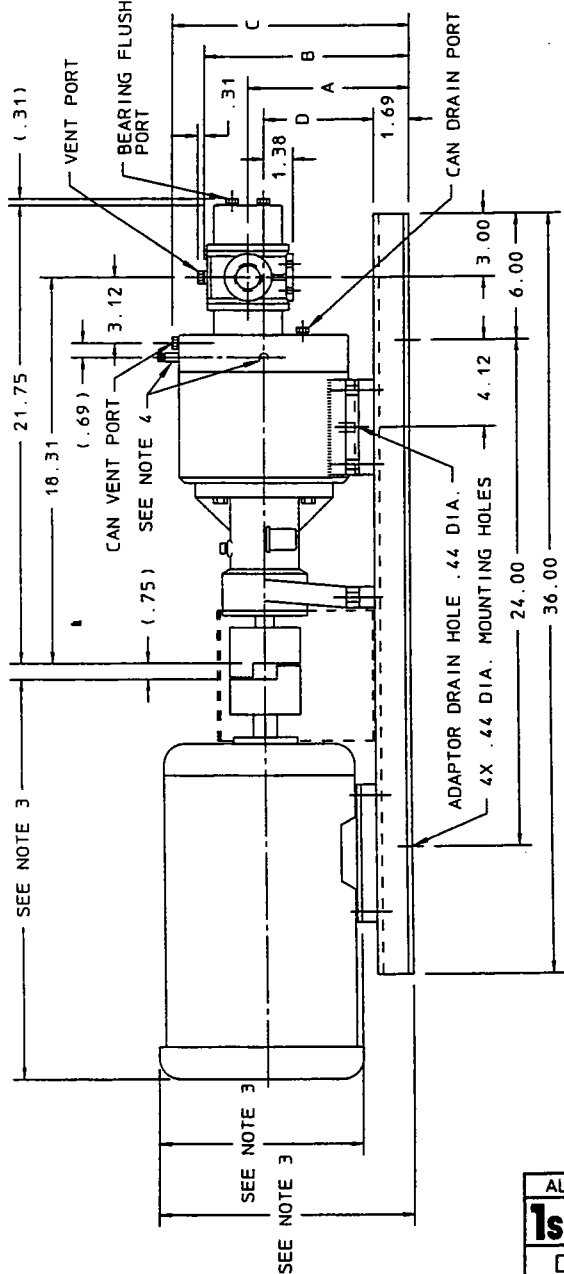
OPTIONAL FLANGED CENTER HOUSING  
1.00-150LB RF FLANGE WITH 4X  $\phi$ .62  
BOLT HOLES ON A  $\phi$ 3.12 BOLT CIRCLE.



VIEW WITH FLANGED  
CENTER HOUSING



PUMP END VIEW



NOTE:

- 1.) SUCTION AND DISCHARGE PORTS DEPENDENT ON DIRECTION OF ROTATION.
- 2.) ALL STANDARD AND OPTIONAL PIPE PLUGS ARE (1/8" N.P.T.).
- 3.) MOTOR DIMENSIONS VARY BY MANUFACTURER. CONSULT MANUFACTURERS DRAWING FOR SPECIFICS. BASE WILL ACCOMMODATE MOTOR FRAME SIZES, 143T, 145T, 182T, 184T, 213T AND 215T.
- 4.) (2) 1/8" NPT PIPE CONNECTION PORTS ARE STANDARD WITH DOUBLE CAN OPTION. OPTION STANDARD ASSEMBLY IS LEFT/TOP CONNECTION PORT ORIENTATION WHEN VIEWED FROM PUMP END. CUSTOMER TO SPECIFY WHEN RIGHT/TOP CONNECTION PORT ORIENTATION IS REQUIRED.

PUMP SERIES	DIMENSIONS			MOTOR FRAME	INFO. D
	A	B	C		
GMH8	6.94	9.00	10.50	143/5T	4.50
	6.94	9.00	10.50	182/4T	4.50
	7.69	9.75	11.25	213/5T	5.24

ALL DIMENSIONS ARE IN INCHES



DIMENSIONAL DRAWING  
GMH8 PUMP MOUNTED  
WITH PEDESTAL ASSY

REF	ADDED FLANGED VIEW	03/27/01
	REVISION UPDATE	DATE

SECTION/PAGE	MODEL GMH8/304
EFFECTIVE	03/27/01
SUPERSEDES	04/01/98

DWN BY: CLA	SD-2772
DATE: 04/04/94	